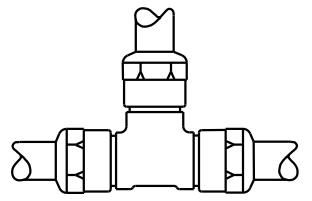


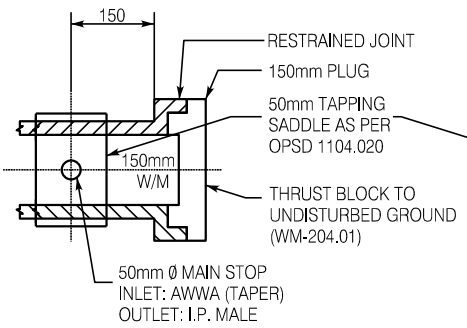
**18.0m R.O.W.  
SYMMETRICAL**

**18.0m R.O.W.  
OFFSET LEFT**

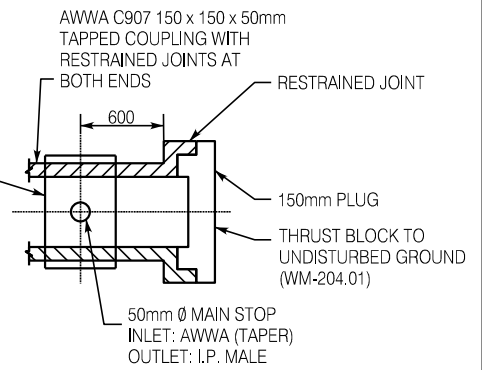


BRASS SERVICE TEE  
COMPRESSION FITTING ALL AROUND

**DETAIL 'A'**



**DETAIL 'B'**  
DUCTILE IRON INSTALLATION



**DETAIL 'B'**  
PVC INSTALLATION

**NOTES:**

- 1. MINIMUM 5 WATER SERVICES AND A MAXIMUM OF 20 WATER SERVICES REQUIRED FOR EFFECTIVE LOOPING

City of Hamilton  
Public Works Department

**50mm WATERMAIN LOOPING IN CUL-DE-SACS  
(18m R.O.W.)**

DIMENSIONS SHOWN ARE IN MILLIMETRES UNLESS OTHERWISE NOTED (N.T.S.)	DATE June 2025	REV No 2	HAMILTON STD No <b>WM-205.02</b>
---	-------------------	-------------	-------------------------------------