

WATERDOWN MEMORIAL PARK PUBLIC ART PROJECT PUBLIC CONSULTATION

WHAT IS YOUR OPINION?



Artist: studio HUIZENGA *WEATHERVANE*

SHORTLISTED PROPOSAL BOOKLET 1 OF 5

ARTIST STATEMENT

Studio Huizenga is committed to encouraging curiosity and creativity in public spaces. Our practice is rooted in the belief that art is essential for community-building and defining cities. The ethos and history of the Waterdown Memorial Park aligns with the tenets of our design philosophy and presents a unique opportunity to reflect on the importance of vibrant community-use spaces in urban areas. The ambition of the Waterdown Memorial Park - to encapsulate a wide and diverse range of programming and activities for everyone - is at the heart of *Weathervane* (working title), which seeks to commemorate the accomplishment of such a successful and richly historied park.

Weathervane is a series of four weathervane-inspired kinetic scenes of play and activity that are found in the Waterdown Memorial Park. Multiple figures, several of which feature differently abled bodies, are shown not only engaging with activities that the park has maintained since its inception in 1949, but most importantly with and amidst others, their shared company pointing to the most significant aspect of the park: community and gathering.

Using the motif of decorative instruments used to measure the direction of the wind, the movement of the figures in all directions suggests an everywhere-ness: activity and people are all around, coming and going. This is the mark of the wonderful transience and changeability of community-use spaces. Additionally, the cyclical design of the sculptures points to the passing of time and generational use of the park. For example, two figures, one large and one small, pass a ball back and forth. In the Waterdown Memorial Park, these figures reference older and younger generations, sharing play, knowledge and company. Intentionally referentially ambiguous, these sculptural figures allow park-users to see themselves in them.

The proposed location is central to the site and next to the amenity building and skating loop. It will act as a beacon for the park, a representation of the variety of activities that the park is used for. At the foot of the sculpture, a circular bench provides respite and use for guests, and is a great place to take in the activities of the park from all angles. The interactive, way-finding sculpture is made of stainless steel and built using sealed barring housings: both durable and low-maintenance materials/hardware.

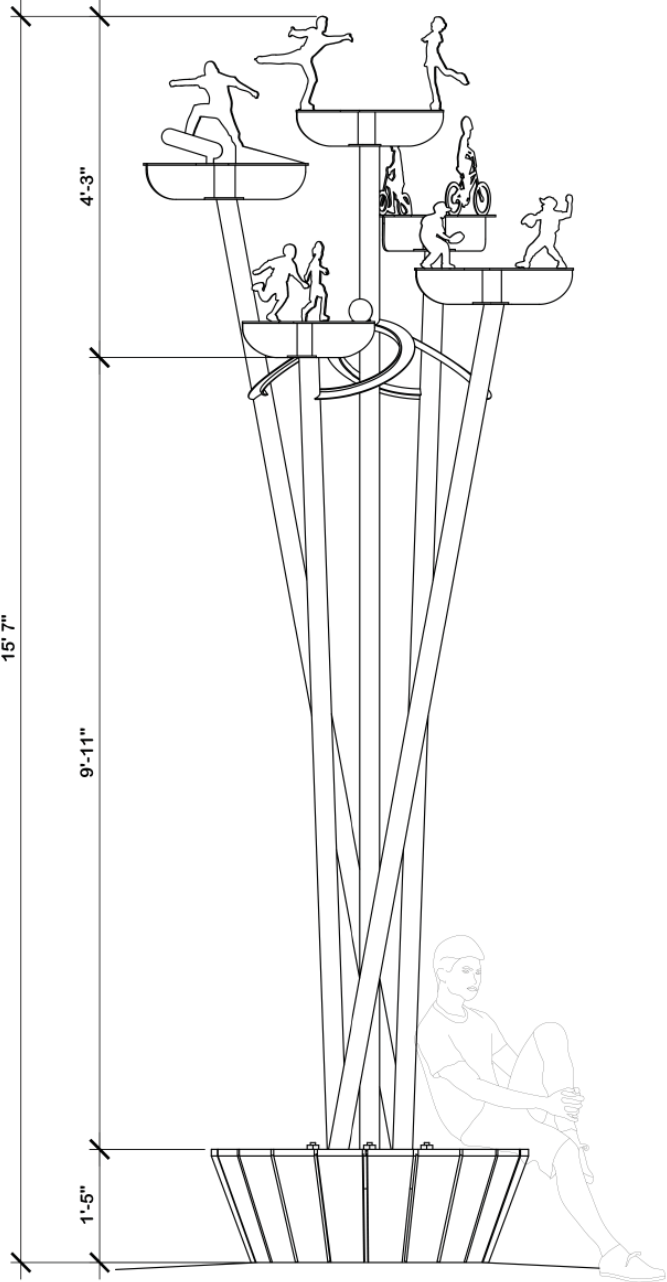
studio.Huizenga



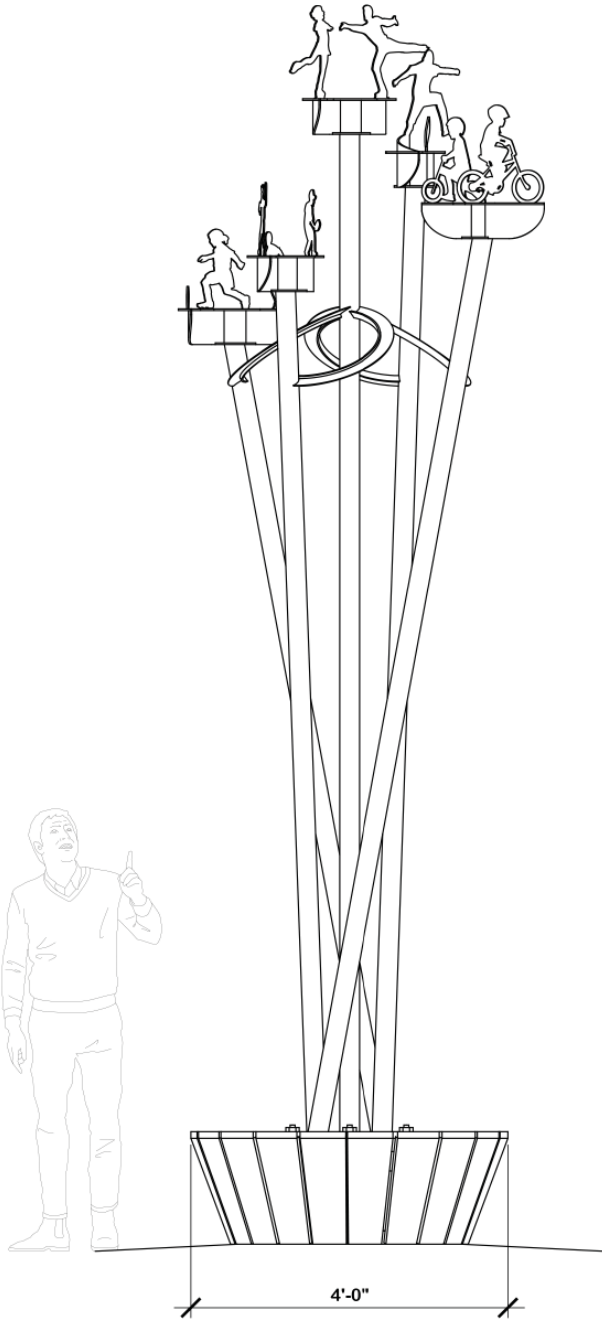
SITE PLAN



ELEVATIONS

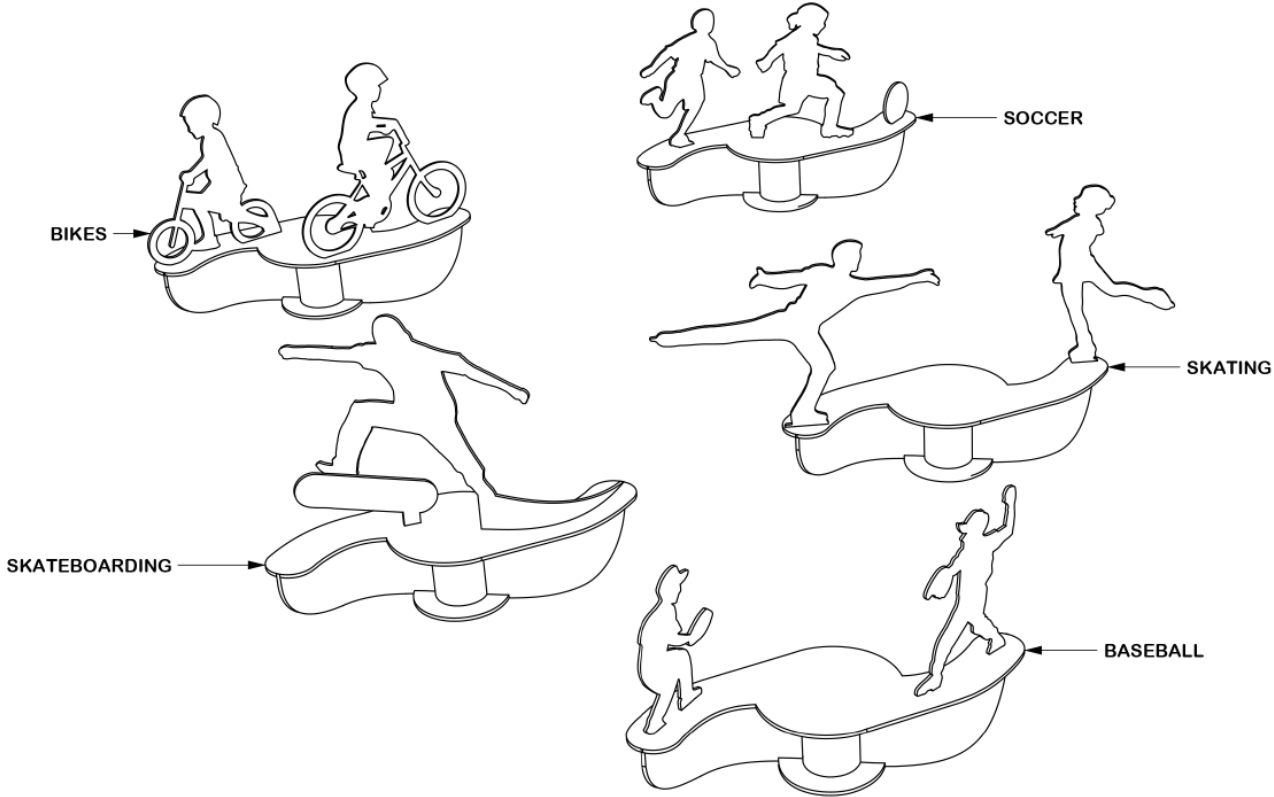


1 NORTH ELEVATION
TYP 1:25

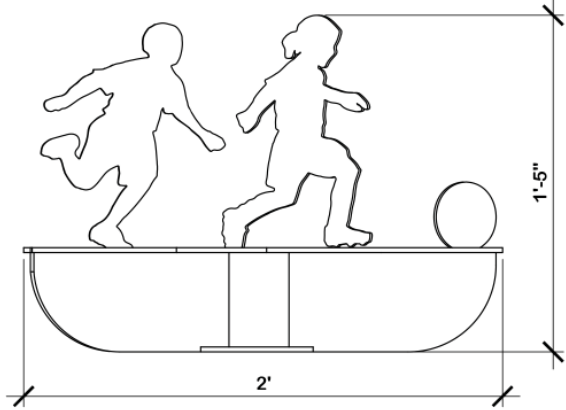


2 WEST ELEVATION
TYP 1:25

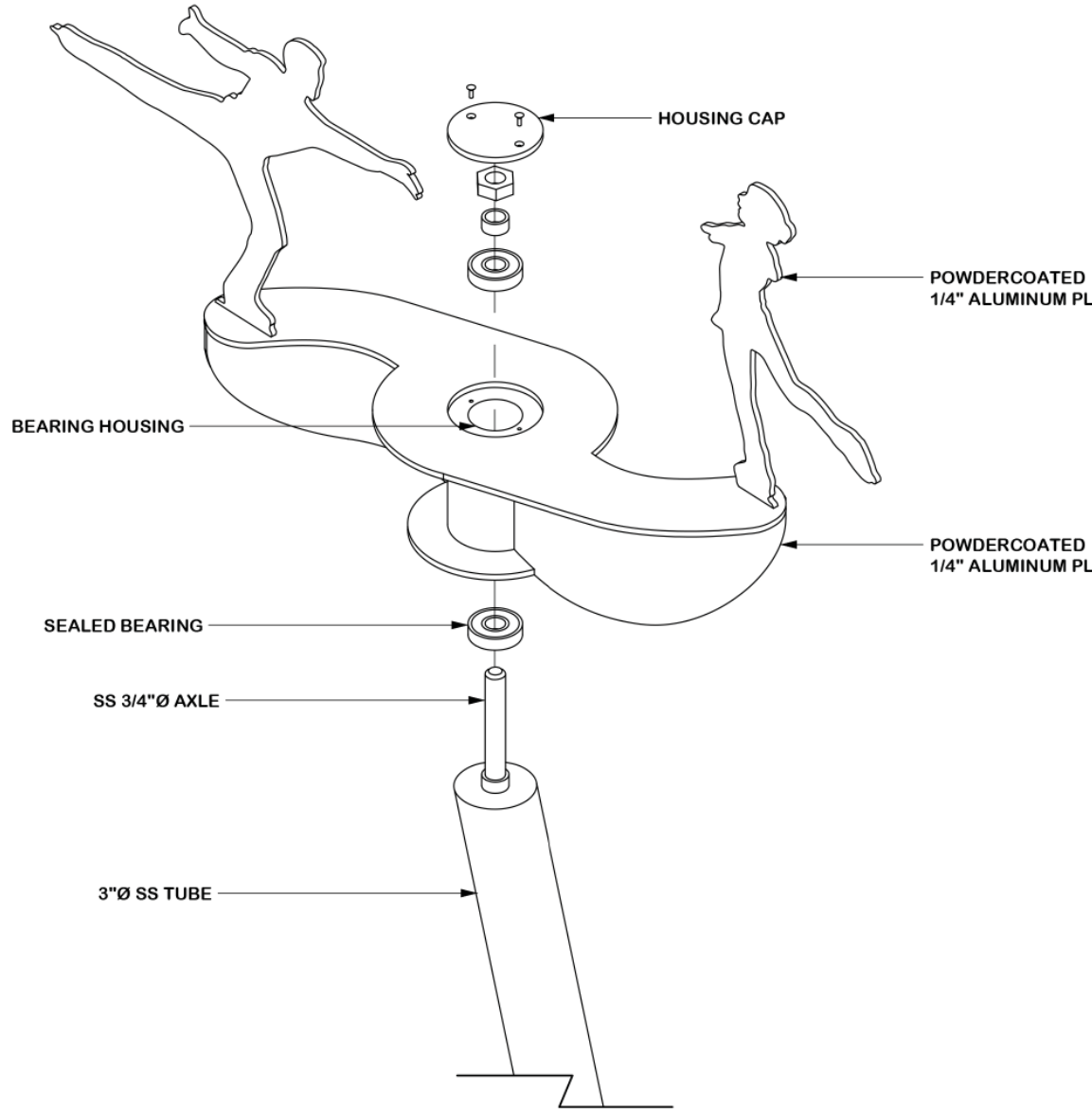
DETAILS



7 TYP. WEATHERVANE THEME OVERVIEW
TYP N.T.S



8 TYP. WEATHERVANE SIZE
TYP N.T.S



6 ISO - WEATHERVANE ASSEMBLY DIAGRAM
TYP N.T.S

COLOUR RENDERINGS



WATERDOWN MEMORIAL PARK PUBLIC ART PROJECT PUBLIC CONSULTATION

www.hamilton.ca/waterdownmemorialparkart



Hamilton